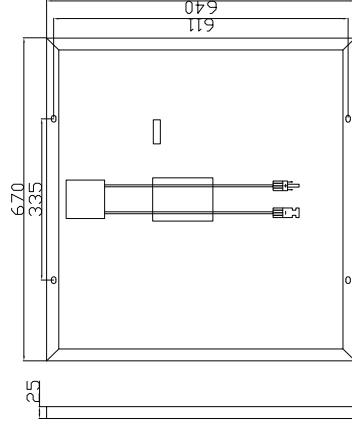
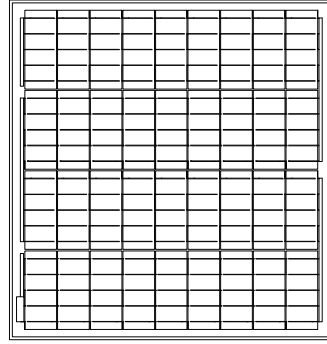


# RSM060P



GLOBAL PROFESSIONAL PV PRODUCTS **INTERGRATED SOLUTIONS SUPPLIER**

Dimension of PV Modules Unit: mm



## ELECTRICAL DATA(STC)

Rated Power in Watts-Pmax(Wp)	<b>60W</b>
Open Circuit Voltage-Voc(V)	22.68V
Short Circuit Current-Isc(A)	3.75A
Maximum Power Voltage-Vmp(V)	18.54V
Maximum Power Current-Imp(A)	3.36A
Module Efficiency (%)	13.99%

STC: Irradiance 1000 W/m<sup>2</sup>, Cell Temperature 25°C, Air Mass AM1.5 according to EN 60904-3.

## ELECTRICAL DATA(NOCT)

Maximum Power-Pmax (Wp)	44.80W
Open Circuit Voltage-Voc (V)	21.27V
Short Circuit Current-Isc (A)	3.03A
Maximum Power Voltage-Vmp(V)	17.24V
Maximum Power Current-Imp(A)	2.60A

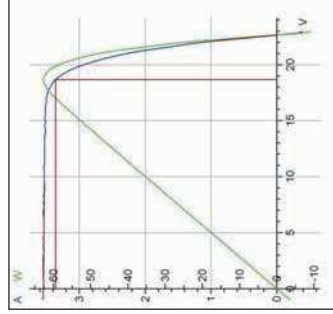
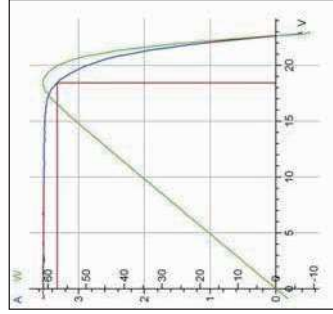
NOCT: Irradiance at 800 W/m<sup>2</sup>, Ambient Temperature 20°C, Wind Speed 1 m/s.

## MECHANICAL DATA

Solar cells	Poly-crystalline 156x63mm 4 or 5 Bus bars
Cell configuration	36 cells(4x9)
Module dimensions	640x670x25 mm
Weight	4.8KGS
Front Cover	3.2mm Tempered Glass
Frame Material	Anodized Aluminum Alloy
J-BOX	IP65 or IP67, 1 Diodes
Cable	2.5mm2(IEC)/12AWG(UL),900mm
Connectors	MC4 or MC4 Comparable
Standard Packaging	10pcs/suite box

## TEMPERATURE & MAXIMUM RATINGS

Nominal Operating Cell Temperature (NOCT)	45°C±2°C
Temperature Coefficient of Voc	-0.32%/°C
Temperature Coefficient of Isc	0.05%/°C
Temperature Coefficient of Pmax	-0.39%/°C
Operational Temperature	-40~+85°C
Maximum System Voltage	1000V(IEC)/600V(UL)
Max Series Fuse Rating	15A
Limiting Reverse Current	15A



A: Room 606, No.13, Yongshang Garden, Jingfeng Road,  
Mudu Town, Wuzhong District, Suzhou, Jiangsu Province, China  
F: +86512-66292101 T: +86 512-66293858  
W: www.resunsolar.com E: info@resunsolar.com



WWW.RESUNSOLAR.COM



## RSM060P

RSM060P is a robust solar module with 36 solar cells. These modules can be used for on-grid solar applications. Our meticulous design and production techniques ensure a high-yield, long-term performance for every module produced. Our rigorous quality control and in-house testing facilities guarantee Resun Solar's modules meet the highest quality standards possible.



High module conversion efficiency (up to 13.99%), through superior manufacturing technology



Guaranteed 0~+5W positive power output tolerance ensures high reliability



Anti-reflective, hydrophobic coating improves light absorption and reduces surface dust



Excellent performance under low light environments (mornings, evenings and cloudy days)



Suitable for harsh environments, such as coasts, deserts and lakes. Withstand high level of wind loads (2400pa) and snow loads (5400pa)



### 36 Cells

Poly-crystalline

### 60W

Power output

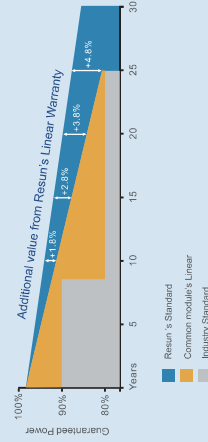
### 13.99%

The Highest Efficiency

### 0 ~ +5W

Tolerance

## 0.5% Annual Degradation over 30 years



**LINEAR PERFORMANCE WARRANTY**  
12 Year Product Warranty / 30 year Linear Power Warranty

Full range of products and certification systems  
ISO 9001 TUV PID-FREE CE IEC61215/61730/61701/62716

